



Easy use and fanless **AtlasPOS**

Touch POS terminal with Intel® Atom™
technology for every applications



Ultra small footprint



Optional device : smart card -
fingerprint and 3-Track MSR



Support 2nd display or VFD
(Customer Pole display)



Considerate design for
high serviceability

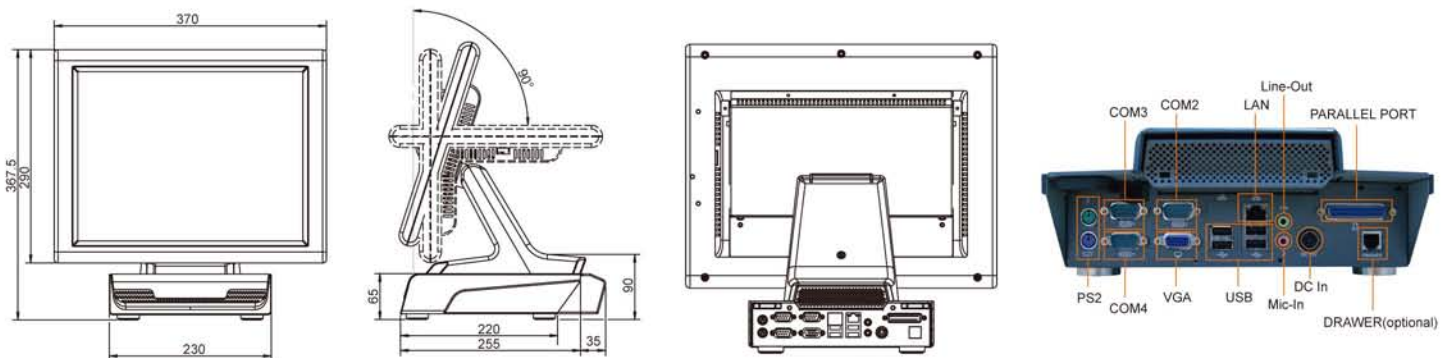


HEISEI

www.heisei.com.tw

Specification

Model Name	Atlas D		
Main Board			
MB	Heisei BI-946ID		
CPU	Onboard Intel® Atom N270 (1.6GHZ) processor		
Memory	2 x 240 Pin DIMM socket up to DDR2 2GB SDRAM		
Chipset	Intel 945GSE + ICH7M		
Graphics	-Intel 945GSE integrated GMA950, share system memory max. 224MB -Support dual display mirroring/multiple mode		
Network	Realtek RTL8111B 10/100/1000 Base-T fast Ethernet 802.11g Wireless LAN (option)		
Audio	VIA HD Audio codec VT1708B (w/audio amplifier)		
Power Supply	DC-In 12V		
OS	Win 7 Pro, Windows Embedded Standard 7, Win XP Embedded, Win XP Pro for Embedded, POSReady 2009		
LED/ Switch	Power, HDD LED and on/off button		
Display			
LCD	12"	15"	17"
Max. Resolution	800 x 600	1024 x 768	1280 x 1024
Brightness	400 cd/m ²	250 cd/m ²	250 cd/m ²
Touch Screen	5-wire Analog resistive		
Storage			
HDD	2 x 2.5" SATA HDD. (Default HDD x 1, 2nd HDD as optional)		
I/O Ports			
USB ports	MB: 8 x USB 2.0 4 x Rear IO, 2 x front, 2 x on board pin header for WIFI & MSR		
Serial Ports	3 x RS-232 (support 5V/12V select)		
LAN	1 x RJ-45 interface		
PS/2	2 x PS/2 ports (For keyboard and mouse)		
Audio	1 x mic-in / 1 x line-out		
Printer	1 x LPT		
Others (optional)			
Wireless LAN	802.11g		
CF Socket	Support Compact Flash Type I / II		
Cash Drawer Port	1 x RJ11		
Physical dimensions			
LCD Tilting angle	90°		
Weight	6.6 Kg		
Dimension	290mm(L) x 370mm(W) x 367.5mm(H)		
Environment			
EMC & Safety	CE, FCC		
Temperature	Operating: 0 ~ 40°C / Storage: -20 ~ 60°C		
Humidity	10% ~ 90%		



Heisei Taiwan Headquarter

Phone: Sales: 886-2-29152150
 Fax: 886-2-29152157
 Email: marketing@heisei.com.tw
 Address: 3F, No. 5, Alley 8, Lane 45, Pao-Hsin Road,
 Hsin-Tien City, Taipei Hsien 231, Taiwan, R.O.C.

Heisei U.S.A. Service Center

Phone: 1-714-8813249
 Fax: 1-714-5332168
 Email: Vincent.liu@heisei.com.tw
 Address: 421 N. Brookhurst St. Suite 224
 Anaheim, CA 92801

Heisei Systems Europe

Phone: 31-183-640145
 Fax: 31-183-640366
 Email: info@heisei-systems.eu
 Address: Vaart 11, 4206 CC
 Gorinchem, The Netherlands.