

# Customer display

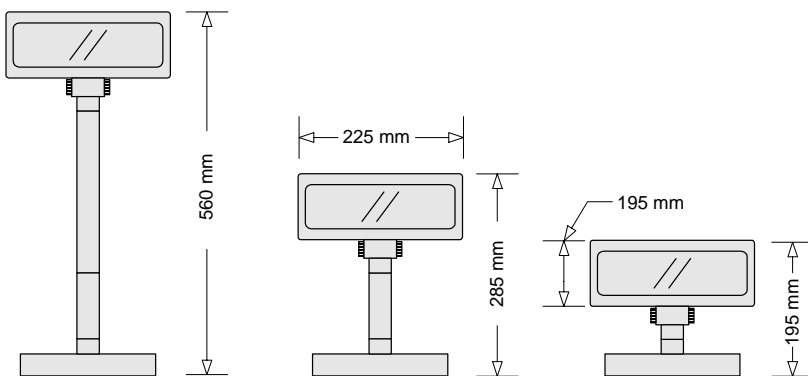
# WD-304

## Liquid crystal customer display features:

- ⊙ Data display on 30 columns X 4 lines (alphanumeric).  
Or display on 15 columns X 4 lines (Chinese).
- ⊙ And can be display double high is 2 lines
- ⊙ Blue-white color and no filter are easy to eyes.
- ⊙ Display panel is adjustable to provide the best view angle.
- ⊙ Provide 2 pole for best position installation.
- ⊙ Provides an interface based on RS-232C  
And RS232C baud rate fixed 9600 bps.
- ⊙ The other model Built-in Chinese character(GB5) ,Korea character, Japan character or Thai character(by option)



## Overall Dimensions:



## General Specifications:

<b>Power supply</b>	DC 9 ~ 30 V	<b>Character size</b>	8.47 x 4.24mm ( 16x8 dot )	
<b>LCD type</b>	STN Blue mode		8.47 x 8.47mm ( 16x16dot )	
<b>Backlight mode</b>	CCFL backlight		16.9 x 8.47mm ( 32x16 dot )	
<b>Brightness</b>	100 cd/m <sup>2</sup>	<b>Power consum.</b>	3 ~ 6 W	
<b>Display color</b>	Blue and White	<b>MTBF (power on)</b>	15000 hours	
<b>Character size</b>	9.0mm X 5.25mm	<b>Viewing angle</b>	0 ~ 45 degrees	
<b>Number of character</b>	30 columns x 4 lines alphanumeric 15 columns x 4 lines chinese character ( or double high is 2 lines )	<b>Weight</b>		0.90 Kg
		<b>Environmental</b>	<b>Temperature</b>	<b>Humidity</b>
<b>Character font</b>	8 x 16 Dot matrix by alphanumeric 16 x 16 dotmatrix by chinese character	<b>Operating</b>	5 ~ 45 °C	30% ~ 85%
		<b>Storage</b>	-10 ~ 55 °C	30% ~ 85%